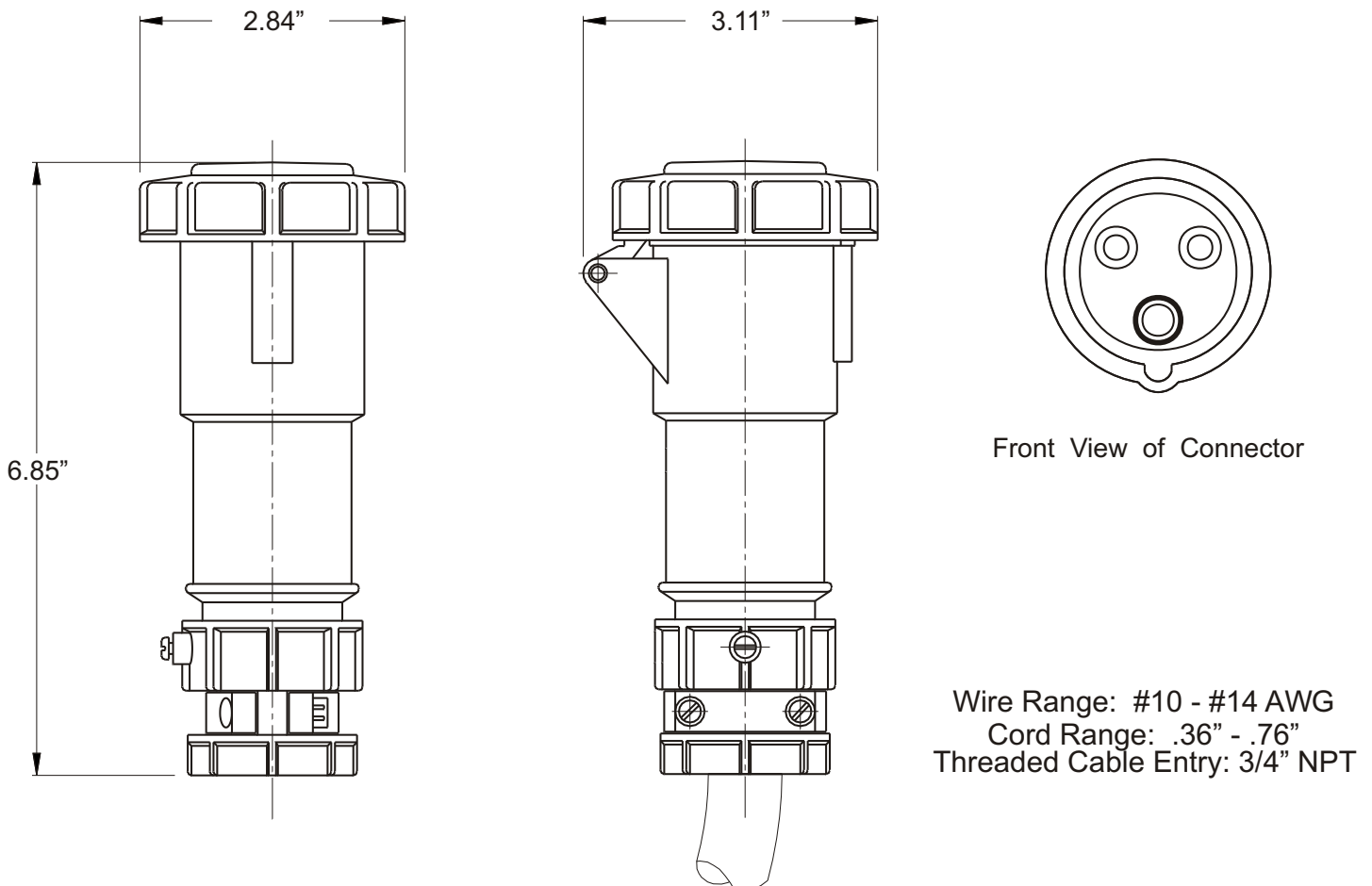


CONNECTOR, IN-LINE

Part No.	ME 320C6W
Description:	20 Amp 250Vac 2 Pole, 3 Wire Connector
Construction:	Watertight IEC IP 67
Approvals:	UL Listed Standards 1682; 1686 CSA Certification to Spec. C22.2 No. 182.1 IEC 60309-1; IEC 60309-2

IEC COLOR CODE: Blue

GROUND SOCKET: 6 Hour Position Mates with Male in 6 Hour Position.



Wire Range: #10 - #14 AWG
Cord Range: .36" - .76"
Threaded Cable Entry: 3/4" NPT

Drawing Not to Scale